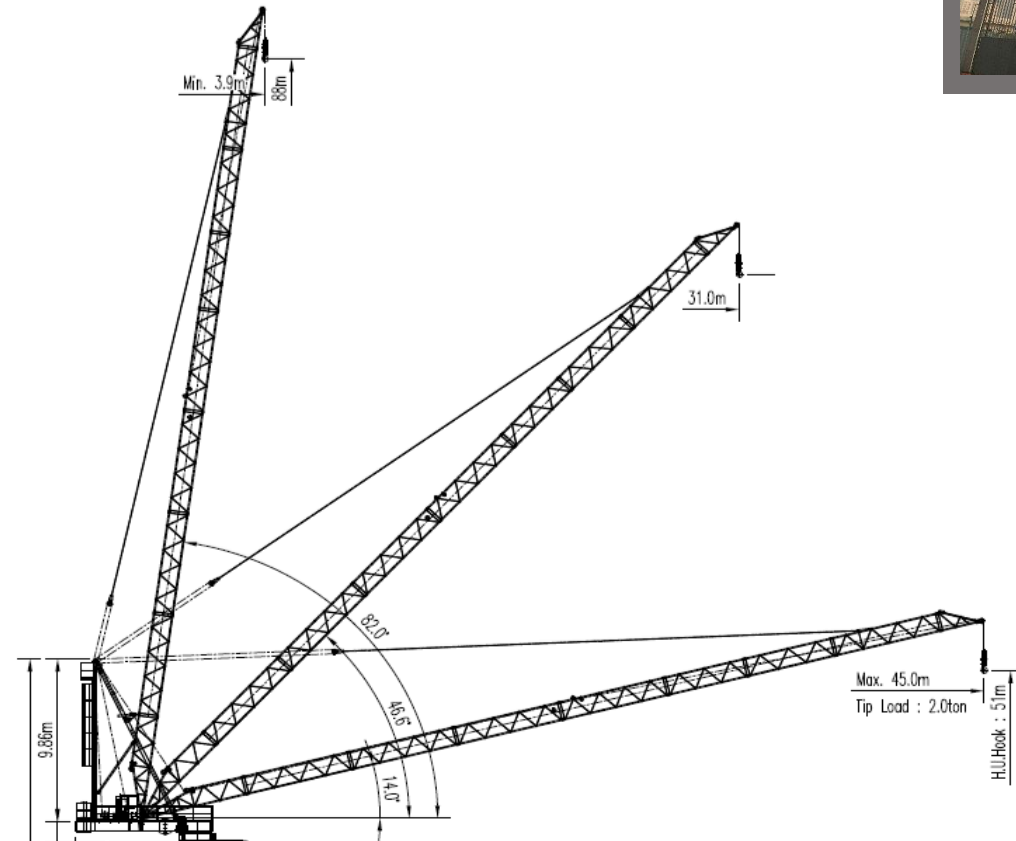
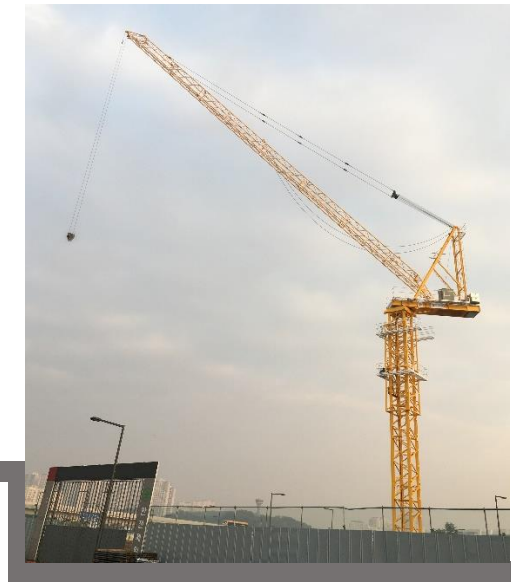


# CW-2945A

무인러핑크레인 / 2.9톤 / Max Jib 45m



### WORKING RADIUS & CAPACITY

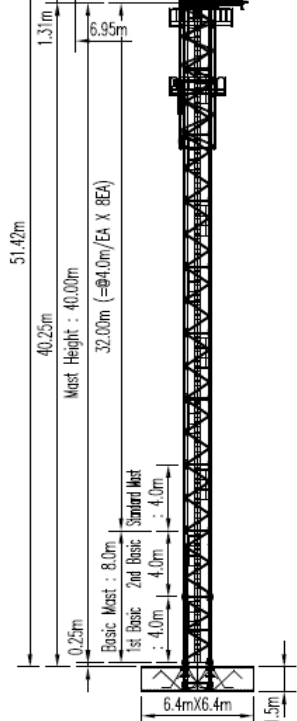
LENGTH of Jib	Max. Capacity Charge(m/kg)	WORKING RADIUS(m)																
		24	30	31	32	33	34	35	36	37	38	39	40	41	42	43	44	45
Jib 45m	3.9 ~ 31 : 2900	2900	2900	2900	2813	2727	2647	2571	2500	2432	2368	2308	2250	2195	2143	2093	2045	2000
Jib 40m	3.2 ~ 32 : 2900	2900	2900	2900	2900	2788	2706	2629	2556	2486	2421	2359	2300					
Jib 35m	2.5 ~ 33 : 2900	2900	2900	2900	2900	2900	2779	2700										
Jib 30m	1.6 ~ 30 : 2900	2900	2900															
Jib 24m	0.8 ~ 24 : 2900	2900																

### COUNTER WEIGHT ARRANGEMENT

Jib Length	Type	Unit Weight (kg)	Q'ty (EA)	Weight (kg)	Unit Weight (kg)
Jib 45m	A	2500	1	2500	7500
	B	2500	2	5000	
	C	1800	-	-	
Jib 40m & Jib 35m	A	2500	1	2500	6800
	B	2500	1	2500	
	C	1800	1	1800	
Jib 30m	A	2500	1	2500	5000
	B	2500	1	2500	
	C	1800	-	-	
Jib 24m	A	2500	1	2500	4300
	B	2500	-	-	
	C	1800	1	1800	

### Out of Service Luffing Angle (°)

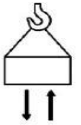


Jib Length	Working Radius(m)	Luffing Angle (°)
Jib 45m	39.8	30.0°
Jib 40m	33.3	35.0°
Jib 35m	27.3	40.0°
Jib 30m	20.6	45.0°
Jib 24m	16.2	



# Load Capacity

Jib	Max Capacity	Radius & Capacity								
		m	24	30	33	35	38	40	43	45
45 m	2.9 ton	kg	2900	2900	2727	2571	2368	2250	2093	2000
40 m	2.9 ton	kg	2900	2900	2788	2629	2421	2300		
35 m	2.9 ton	kg	2900	2900	2900	2700				
30 m	2.9 ton	kg	2900	2900						
24 m	2.9 ton	kg	2900							

# Specification

Free Standing		40 m		Max Install Height		G/L 에서 128.25m	
Hoist		30/ 43 m/min		Inverter	18.5 kw	380 V / 60 Hz	Wire Drum : 350m, ø 12mm
Luffing		14~82°	4.2 m/min		18.5 kw		Wire Drum : 250m, ø 12mm
Slewing		0.76 rpm			3.75 kw x 2EA		



**청우 T & G**

■ **본사 및 공장**

주소: 경남 양산시 산막공단북9길 112  
 전화: 055-381-7823    팩스: 055-381-7825  
 이메일: chungwoo2014@naver.com

■ **영업사무소**

주소: 경기도 남양주시 진접읍 해밀예당1로 216번길 20-13  
 전화: 031-575-0886    팩스: 0303-3130-0886  
 이메일: cw\_sales@naver.com